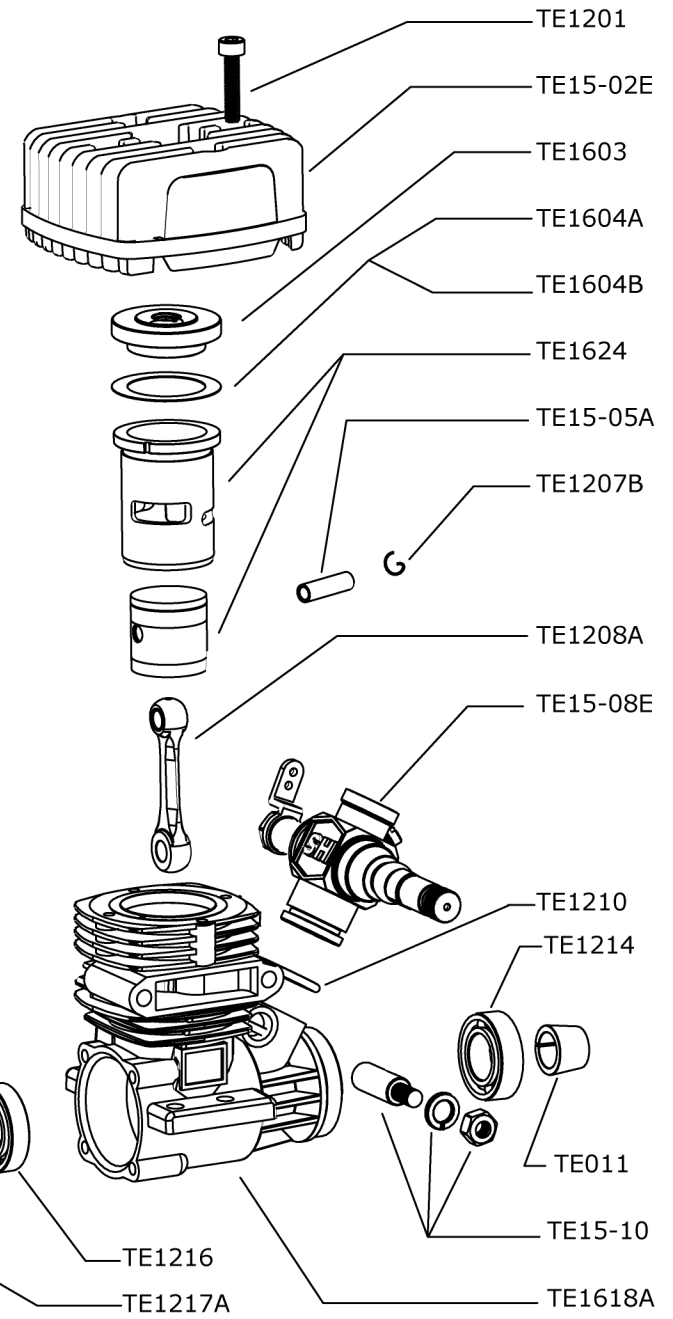
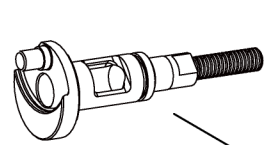
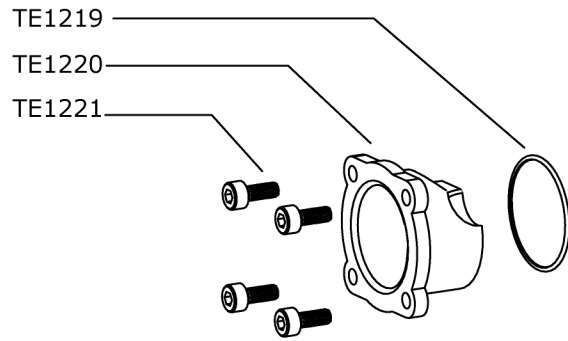
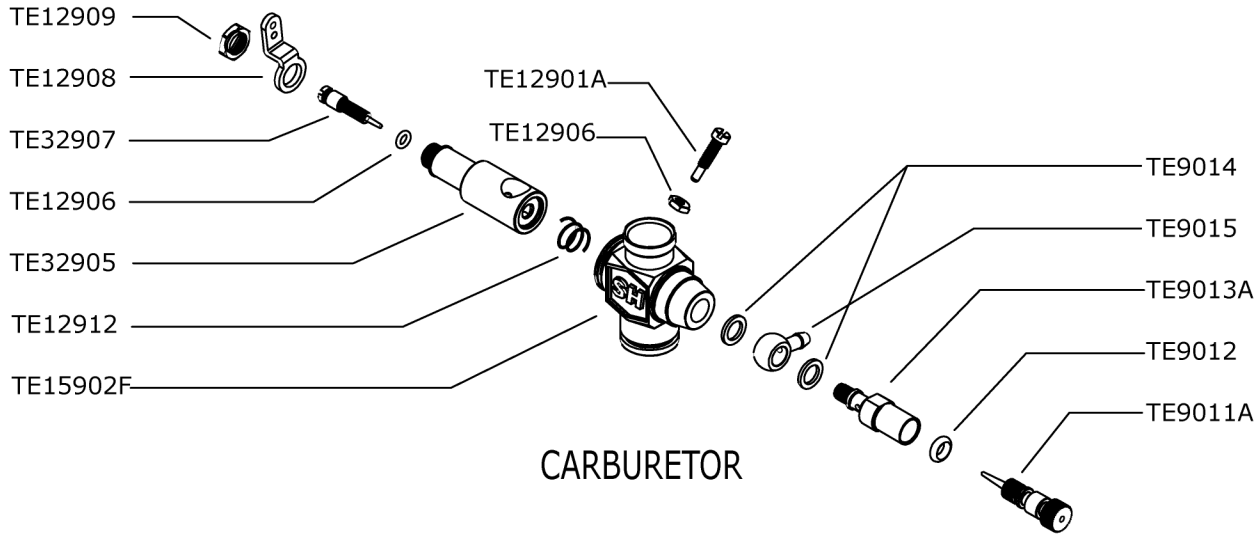


16 Side Plane Exhaust Engine



TECHNICAL DATA:

Type:	Cubic capacity:	Bore:	Stroke :	R.P.M :	Power :	Weight:
FS16S01R	2.49cc	15.40mm	14.00mm	2500-18000	0.45/17000	311g